

D10 SMART / D10 TURBO SMART / D20 SMART THEFT-DETERRENT CAGE INSTALLATION MANUAL



1. Introduction

1.1. Important Safety Information



ATTENTION!

To ensure the safety of people and possessions, it is important that you read all of the following instructions.

Incorrect installation or incorrect use of the product could cause serious harm.

Before handover to the end-user, the installer must ensure that the whole system is correctly installed and operates safely.

Warnings for the Installer

CAREFULLY READ AND FOLLOW ALL INSTRUCTIONS before beginning to install the product.

- Do not in any way modify the components
- Do not leave packing materials (plastic, polystyrene, etc.) within reach of children as such materials are potential sources of danger
- Neither Centurion Systems (Pty) Ltd, nor its subsidiaries, accepts any liability caused by improper use of the product, or for use other than that for which the system was intended
- This product was designed and built strictly for the use indicated in this documentation. Any other use, not expressly indicated here, could compromise the service life/operation of the product and/or be a source of danger
- The installer must explain the operation of the **D10 SMART Theft-deterrent Cage** and any safety hazards to the end-user - refer to "Section 5 - Installation Handover"
- Anything not expressly specified in these instructions is not permitted

Icons used in this manual



This icon indicates tips and other information that could be useful during the installation.



This icon denotes variations and other aspects that should be considered during installation.



This icon indicates warning, caution or attention! Please take special note of critical aspects that MUST be adhered to in order to prevent injury.

2. General Description

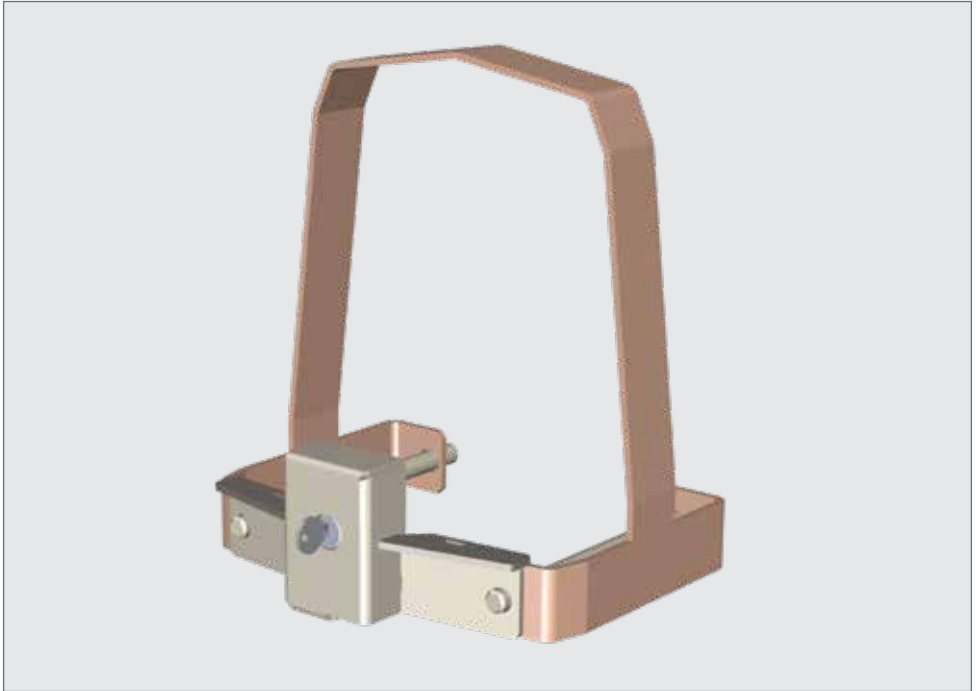


FIGURE 1. D10 SMART/D10 TURBO SMART/D20 SMART THEFT-DETERRENT CAGE

The **D10 SMART/D10 TURBO SMART/D20 SMART Theft-deterrent Cage** is designed to significantly reduce the risk of an intruder gaining access to the operator.

Disclaimer: Due to continuous improvement in the design and manufacture of this product, the actual product may differ slightly in appearance to that which is depicted herein. Centurion Systems (Pty) Ltd cannot be held liable under any circumstance for any damage, loss or action that results from your gate operator being tampered with.

3. Product Identification

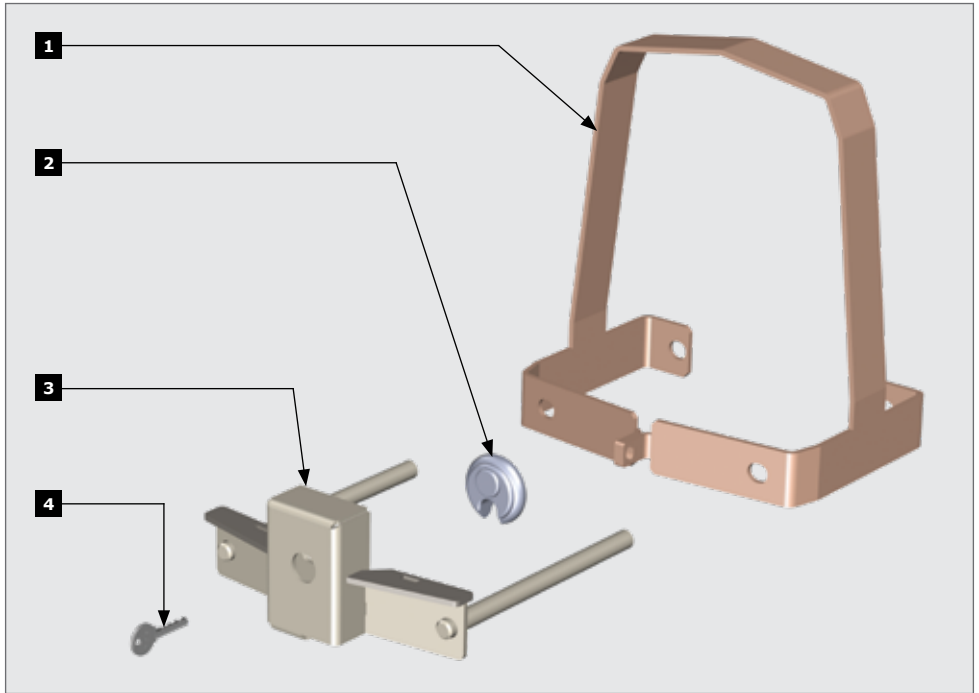


FIGURE 2. PRODUCT IDENTIFICATION

1. **D10 SMART/D10 TURBO SMART/D20 SMART Theft-deterrent Cage** Overstrap
2. Discus Padlock
3. Front Bar Assembly
4. Key

4. Theft-deterrent Cage Installation



IMPORTANT!

In the case where one has the optional magnet origin system fitted, relocate the gate magnet as close as possible to the operator cover and reset the gate limits.



There is no need to remove the cover of the operator to install the Theft-deterrent Cage.

Push the two Gearbox Plugs (one on either side of the Gearbox) into the Gearbox Trim.

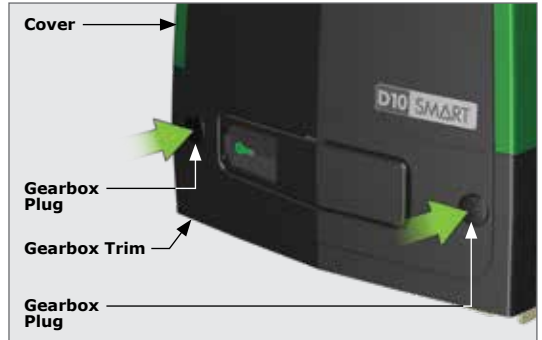


FIGURE 3

Place the Overstrap over the top of the Operator.

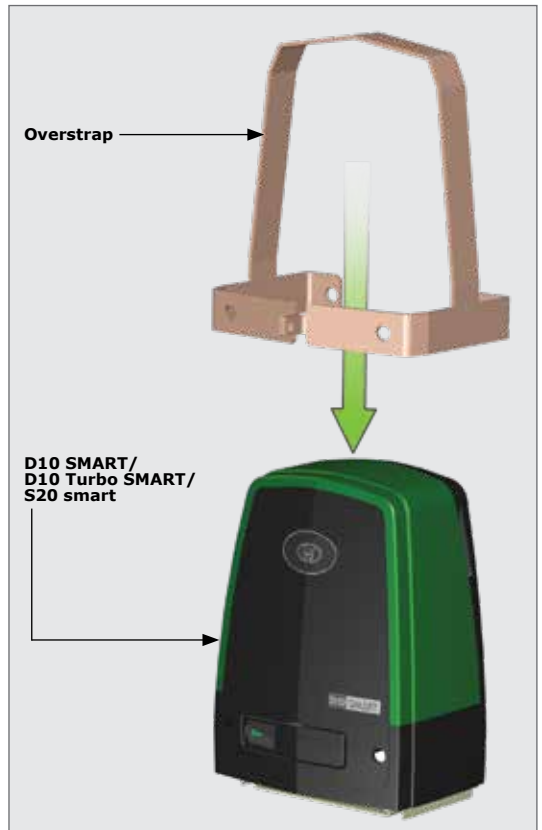


FIGURE 4



Always unlock the Discus Padlock before placing the Front Bar Assembly into position.

Align the two holes in the Overstrap with the two holes in the front of the Gearbox, and insert the Front Bar Assembly through the holes of the Overstrap and Gearbox.

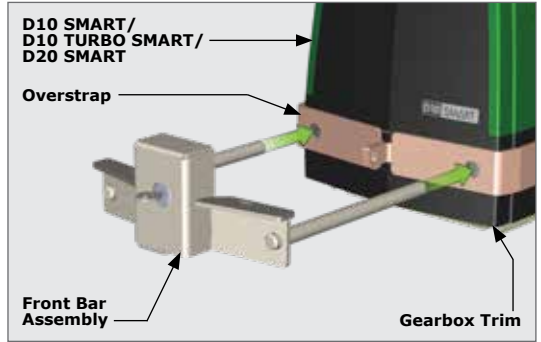


FIGURE 5

Push the Front Bar Assembly completely through the Gearbox and Overstrap, ensuring that the bar extends out the back of the Overstrap.



Wiggling the Overstrap from front to back can assist the Front Bar to slide all the way through the Overstrap.

Take care when pushing the Front Bar Assembly through the Gearbox Trim.



Forcing it may cause damage to the Gearbox Trim.

Lock the Front Bar Assembly into position, remove the Key and store it in a safe place.

The finished installation should look as shown in Figure 7

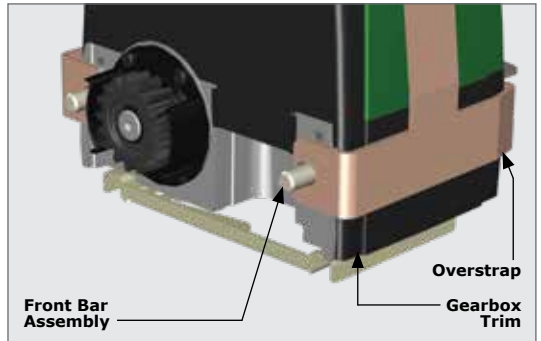


FIGURE 6



FIGURE 7

5. Installation Handover

Once the **Theft-deterrent Cage** has been successfully installed and its operation tested, it is important for the operation and safety considerations to be explained to the end-user of the system.



Connect with us on:

 facebook.com/centurionsystems

 YouTube.com/centurionsystems

 [@askcenturion](https://twitter.com/askcenturion)

 centurion.systems

Subscribe to the newsletter: www.centsys.com/subscribe

Call Centurion Systems (Pty) Ltd • South Africa
Head Office: +27 11 699 2400

Call Technical Support: +27 11 699 2481
Monday to Friday: from 07h00 to 18h00 (GMT+2)
Saturday: from 08h00 to 16h30 (GMT+2)

www.centsys.com.au

Call: 1300 CENTSYS (1300 236 879)

After Hours International Technical Support Call Centre
+27 11 699 2481 (16:00 to 02:00 - Australian Eastern Time)

E&OE Centurion Systems (Pty) Ltd reserves the right to change any product without prior notice

All product and brand names in this document that are accompanied by the ® symbol are registered trademarks in South Africa and/or other countries, in favour of Centurion Systems (Pty) Ltd, South Africa.

The CENTURION and CENTSYS logos, all product and brand names in this document that are accompanied by the TM symbol are trademarks of Centurion Systems (Pty) Ltd, in South Africa and other territories; all rights are reserved. We invite you to contact us for further details.



Doc number: 1271.D.01.0002

www.centsys.com