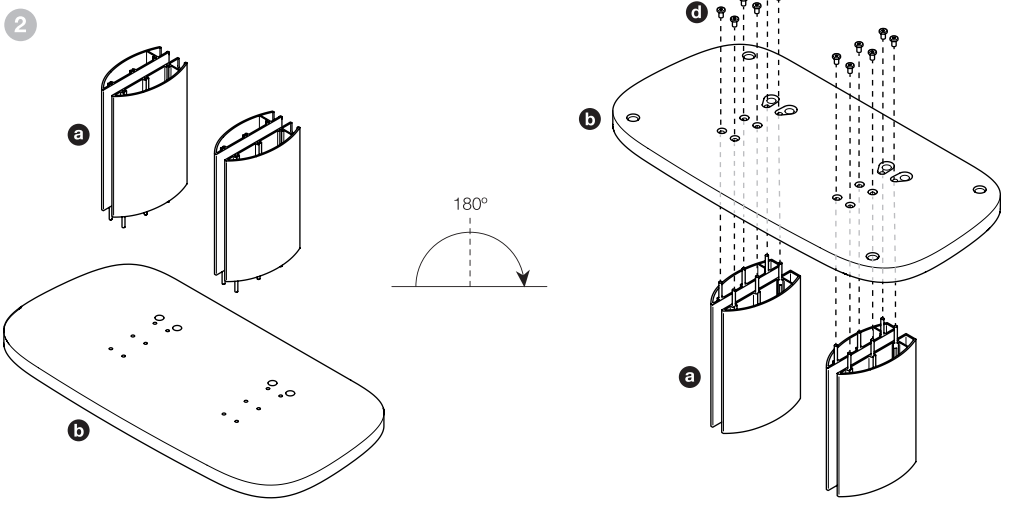
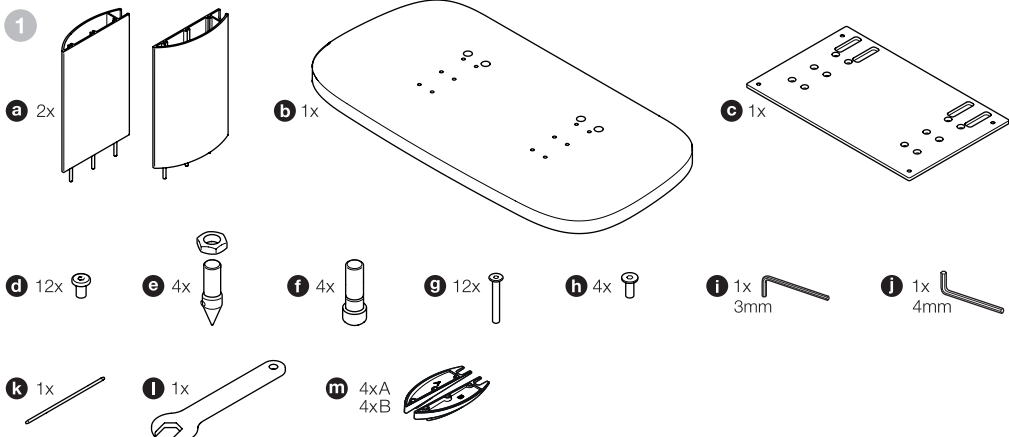
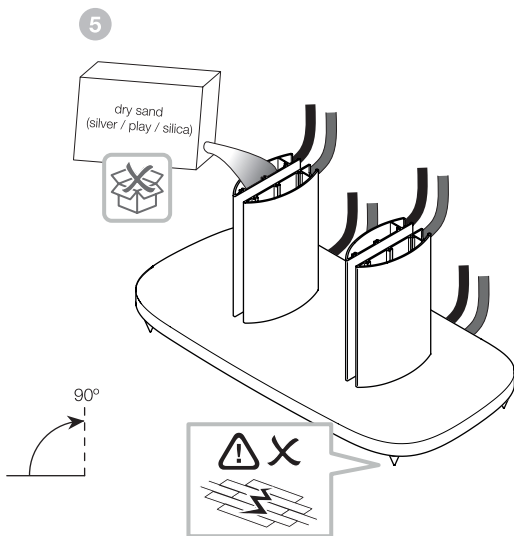
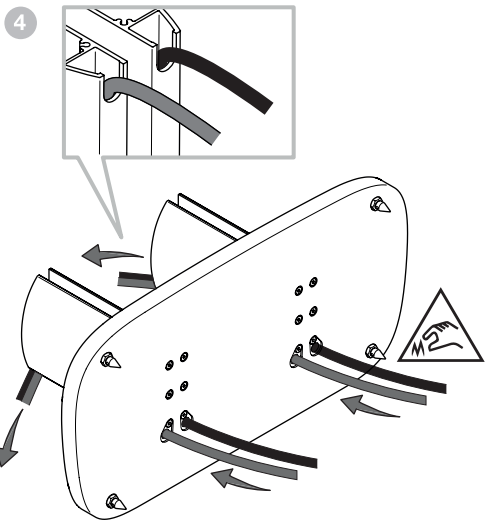
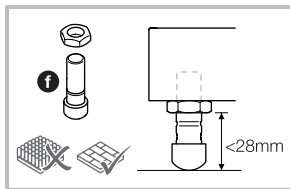
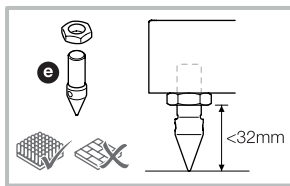
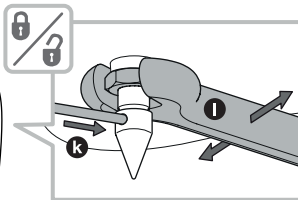
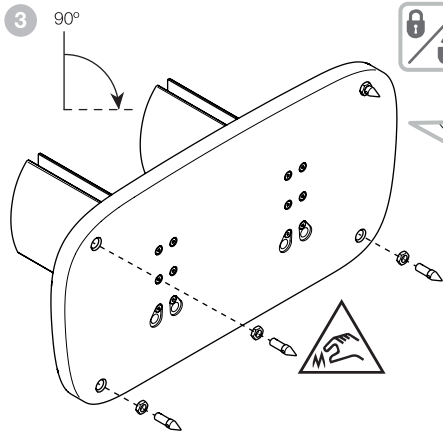


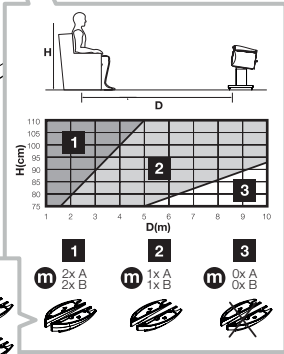
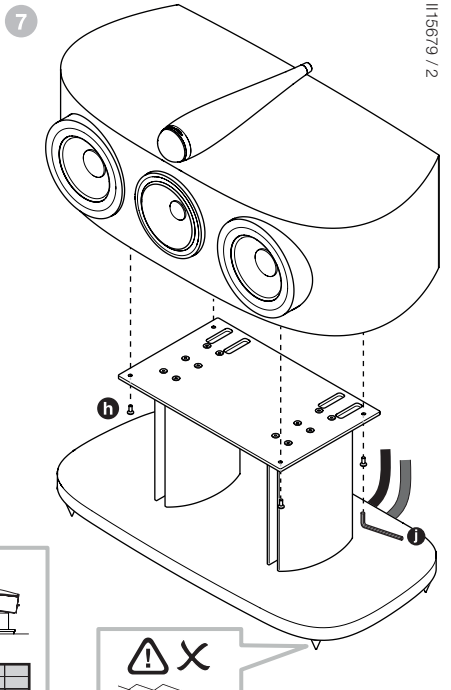
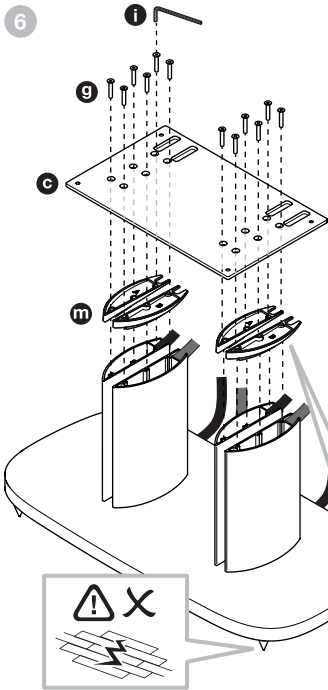
# FS-HTM D4

## Assembly Instructions

Bowers & Wilkins







B&W Group Ltd  
 Dale Road  
 Worthing West Sussex  
 BN11 2BH England

EU Importer:  
 Bowers & Wilkins  
 Beerndstraat 11  
 5653 MA Eindhoven  
 The Netherlands

